

INDOOR EXTINGUISHANT SYSTEM ANCILLARIES

Model D-508-EA



Model D-108-POS-EHO



Model D-108-POS-ER



Model D-108-POS-EA



DESCRIPTION

Designed with ease of installation in mind, Demco's indoor system activation devices **D-108-POS** series are extremely suitable for open-circuit system.

The shrouded push-button design on Extinguishant Abort Switch **D-108-POS-EA** and System Abort Switch **D-508-EA** helps prevent inadvertent operation during the cancellation of extinguishant release sequence. In addition, **D-508-EA** consists of a corrosion-resistance stainless steel faceplate and a modular switch assembly designed to mount on a standard double gang electrical enclosure.

Resettable Extinguishant Release Call Point **D-108-POS-ER**'s simple 'RESET' mechanism consists of ABS plastic operating elements that simulates break glass activation which is instantly reusable with no glass elements to break, lose or incorrectly fit when installing.

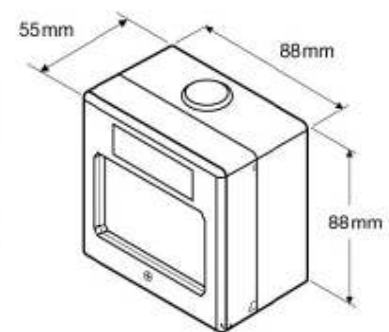
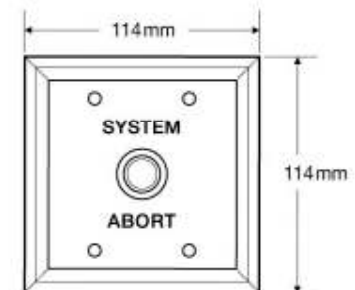
D-108-POS-EHO Extinguishant Hold Off Switch's raised push button design is good for quick positive operation or momentary actuation when delaying the imminent suppression agent's release.

SPECIFICATIONS

Size (H x W x D)	114 X 114 X 51 mm (Surface Mount) 114 X 114 X 16 mm (Flush Mount)
Current Rating	1Amp@240V AC
Net/Gross Weight	130/150g (CP250ALB)
Protection Rating	IP24D

Size (H x W x D)	88 X 88 X 55 mm (Surface Mount) 88 X 88 X 20 mm (Flush Mount)
Current Ratings	1Amp@240V AC 2Amps@24V DC
Net/Gross Weight	135/160g (D-108-POS-EHO) 175/200g (D-108-POS-ER) 108/160g (D-108-POS-EA)
Connections	TERMINAL- MAX 2.5mm ² CABLE
Protection Rating	IP24D

Specifications are subject to change without prior notice.



OPTIONAL FEATURES*

- Monitoring resistor.
- Blocking diode.
- Specific languages or custom imprints available on facial layout upon request.
- Casing available in different colours.



RANGE OF CASING COLOURS
White, Yellow, Green, Red, Blue



HINGED COVER
RW108-049 (Pack 20)

* Applies to **D-108-POS** series only.

DEMCO
INDUSTRIES SDN BHD
www.demcoalarm.com

Lot 3928, Jalan Keretapi Lama
Off Jalan Kapar 5 1/2 Miles
42100 Klang
Selangor Darul Ehsan
West Malaysia
Tel: +603-3290 3333
Fax: +603-3290 2288
E-mail: sales@demcoalarm.com

