

# FLASHING LIGHTS & EVACUATE SIGNS



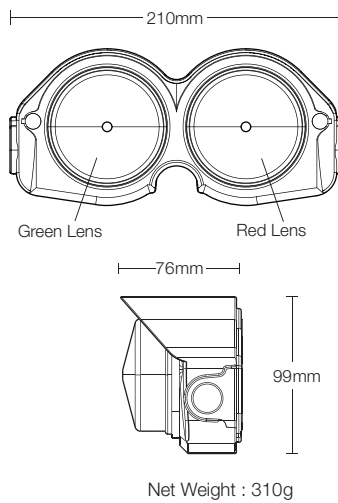
\*IP64

LEDs used per PCB = 4 LEDs. Configurations of 6 LEDs and 8 LEDs are available upon special request.

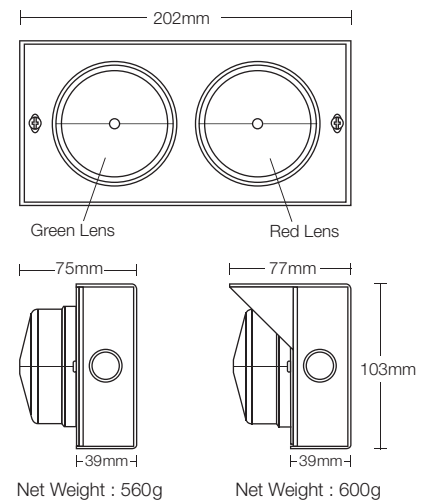
## DEMCO ADVANTAGES

- **Durable** – Robust outer casing made of mild steel or high-impact polycarbonate.
- **Accessible** – Removable conduit plug offers easy conduit entries.
- **Versatile** – Suitable for surface mounting.
- **Optional Hood** – Model D-104WP only. Suitable for outdoor application.
- **IP64** – Model D-144 only.
- Luminary: 4 Ultra Bright LEDs per PCB
- Operating Voltage: 24V DC
- Operating Currents: 20mA – LED
- Flashing Rate: 2 Flash per sec @ 24V

### Model D-144



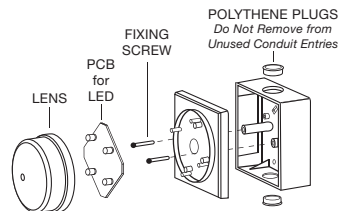
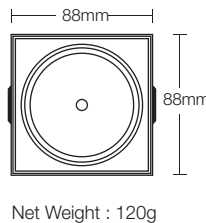
### Model D-104 and D-104 WP



## Model D-154

Single Flashing Light

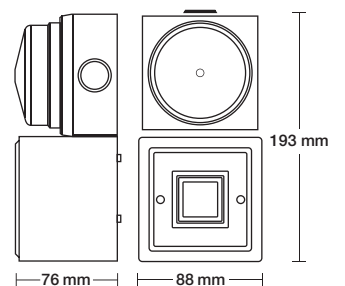
- Dimension: 88 (W) x 88 (H) x 72mm (D)
- Body: Red or Black ABS Plastic
- Fresnel Lens: Green or Red Polycarbonate
- Luminary: 4 Ultra Bright LEDs per PCB
- Optional Feature: Built-in Buzzer
- Operating Voltage: 24V DC
- Operating Current: 20mA – LED



## Model D-115-154

Beacon / Sounder Combination

- Operating Voltage: 24V DC
- Operating Current: 70mA



Net Weight : 277g

## Model D-110WP

## Model D-110

Evacuate Sign

- Dimension: 256 (W) x 107 (H) x 110mm (D)  
256 (W) x 107 (H) x 80mm (D)
- Casing: Mild Steel
- Colour: Black
- Luminary: 6 Ultra Bright LEDs per PCB
- Custom Imprint Available Upon Request
- Operating Voltage: 24V DC
- Operating Current: 20mA – LED



Net Weight : 1050g



Net Weight : 1160g

**DEMCO**  
INDUSTRIES SDN BHD  
www.demcoalarm.com

Lot 3928, Jalan Keretapi Lama  
Off Jalan Kapar 5 1/2 Miles  
42100 Klang  
Selangor Darul Ehsan  
West Malaysia  
Tel: +603-3290 3333  
Fax: +603-3290 2288  
E-mail: sales@demcoalarm.com



Specifications are subject to change without prior notice.

Quality without Compromise